

# Technical Data Sheet

Compressor model **GP14FB**  
 Voltage **220-240V 50Hz ~1**  
 Refrigerant **R134a**

## APPLICATION

Application	Low Back Pressure
Refrigerant	R134a
Evaporating Temp.	-35,0 to -10,0
Expansion	Capillar/Valve
Comp. Cooling	Fan cooled
Max. ambient temp.	43,0

## COMPRESSOR

Displacement	14,17 cm <sup>3</sup>
Diameter	31,19 mm
Stroke	18,54 mm
Net Weight	11,50 Kg
Oil type	ISO VG 22 ESTER
Oil charge	400 cm <sup>3</sup>

## MOTOR

Approximate Power	3/8 hp
Voltage/Frequency	220V 50Hz
Voltage range	198-264 V
Type	CSIR
Phase number	1 P
Locked rotor current	12,00 A
Main W. resist. at 25°C	6,53
Start W. resist. at 25°C	23,76

## NOMINAL PERFORMANCE

	ASHRAE	CECOMAF
Cooling Capacity	270 kcal/h	229 W
COP	1,16 W/W	0,89 W/W
EER	1,00 kcal/Wh	0,77 kcal/Wh
Input Power	270 W	256 W
Current	1,80 A	1,75 A

## APPROVALS

## TEST CYCLE CONDITIONS

	ASHRAE LBP (B)	CECOMAF LBP (A)
Evaporating temp.	-23,3 °C	-25,0 °C
Condensing temp.	55,0 °C	55,0 °C
Liquid temp.	32,0 °C	55,0 °C
Ambient temp.	32,0 °C	32,0 °C
Suction temp.	32,0 °C	32,0 °C
Voltage/Frequency	220 V 50 Hz	220 V 50 Hz

## ELECTRICAL COMPONENTS

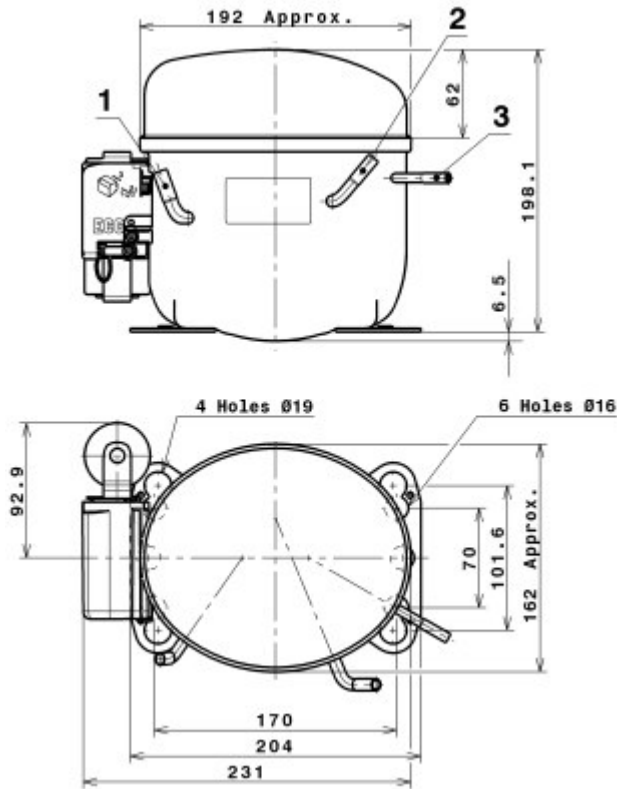
Starting capacitor	72- 88 µF 330 V			
Relay	Option 1			
Reference	2014 145.			
Pick-Up	7,10 A			
Drop-Out	6,00 A			
Protector	Option 1	Option 2		
Reference	MRT40AMK	T0137		
Current	9,50 A	9,50 A		
Time check	7,5-14 seg	7,5-14 seg		
Disc temp. (Open/Close)	105,00 / 61,00 °C	110,00 / 61,00 °C		

ASHRAE

Tc	Te	Cooling Capacity kcal/h	Consumption W	Current A	COP W/W	EER kcal/Wh
40	-35	126	174	1,52	0,84	0,72
40	-30	192	209	1,61	1,07	0,92
40	-25	270	247	1,73	1,27	1,09
40	-23,3	299	261	1,77	1,33	1,15
40	-20	360	288	1,86	1,45	1,25
40	-15	463	333	2,02	1,62	1,39
40	-10	578	380	2,22	1,77	1,52
45	-35	119	171	1,51	0,81	0,70
45	-30	183	209	1,61	1,02	0,88
45	-25	260	249	1,73	1,21	1,04
45	-23,3	289	264	1,78	1,28	1,10
45	-20	350	293	1,88	1,39	1,19
45	-15	451	340	2,05	1,54	1,33
45	-10	565	390	2,26	1,69	1,45
50	-35	112	168	1,51	0,78	0,67
50	-30	175	208	1,61	0,98	0,84
50	-25	251	251	1,74	1,16	1,00
50	-23,3	280	267	1,79	1,22	1,05
50	-20	339	298	1,90	1,32	1,14
50	-15	440	347	2,08	1,47	1,27
50	-10	553	400	2,31	1,61	1,38
55	-35	105	165	1,50	0,74	0,64
55	-30	167	208	1,61	0,94	0,80
55	-25	242	254	1,75	1,11	0,95
55	-23,3	270	270	1,80	1,16	1,00
55	-20	329	303	1,91	1,26	1,09
55	-15	428	355	2,11	1,40	1,21
55	-10	540	410	2,35	1,53	1,32
60	-35	98	162	1,49	0,70	0,60
60	-30	159	207	1,61	0,89	0,77
60	-25	233	256	1,75	1,06	0,91
60	-23,3	260	273	1,81	1,11	0,95
60	-20	318	307	1,93	1,20	1,04
60	-15	417	362	2,14	1,34	1,15
60	-10	527	420	2,40	1,46	1,26
65	-35	91	159	1,49	0,67	0,57
65	-30	151	207	1,61	0,85	0,73
65	-25	223	258	1,76	1,01	0,87
65	-23,3	251	276	1,82	1,06	0,91
65	-20	308	312	1,95	1,15	0,99
65	-15	405	370	2,17	1,27	1,10
65	-10	515	430	2,44	1,39	1,20

# Technical Data Sheet

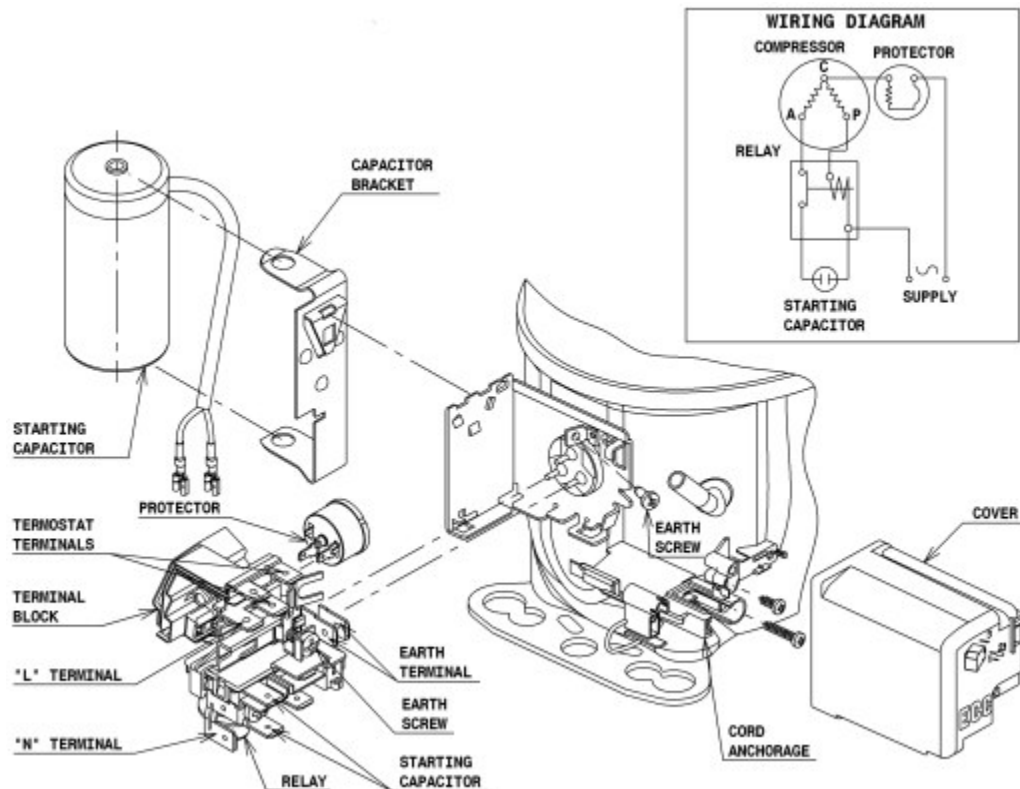
## COMPRESSOR DIMENSIONS



DESIGNATION	INTERNAL DIAM.
1 Suction/Service	8,1 mm
2 Service/Suction	8,1 mm
3 Discharge	6,5 mm

## WIRING DIAGRAMS AND ELECTRICAL ASSEMBLY

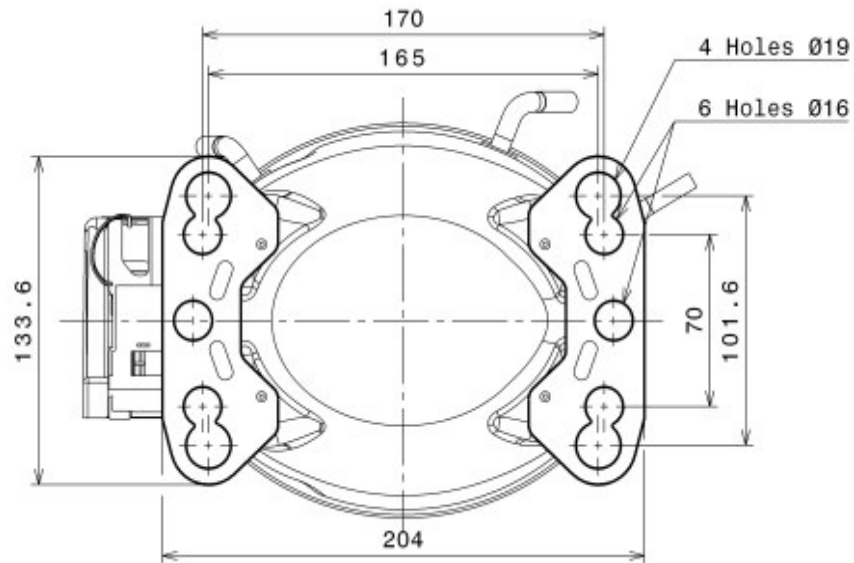
### CSIR CONNECTION



# Technical Data Sheet

## FIXINGS

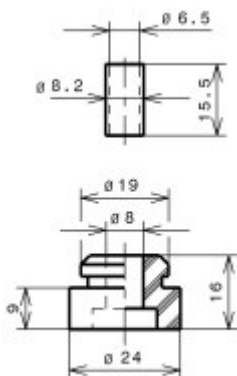
American mounting feet



## SILENT BLOCKS (MOUNTING ACCESSORIES)

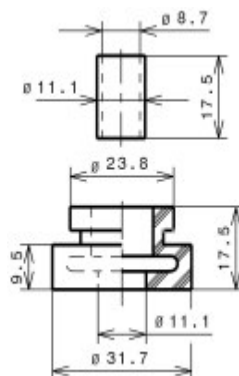
### STANDARD

D.16 holds net (170x70)



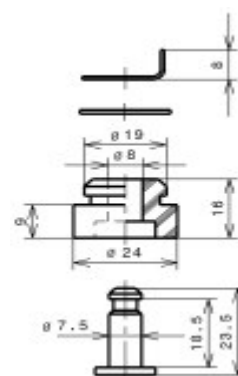
### AMERICAN FEET

D.19 (165x101.6)



### SNAP-ON

D.16 holds net (170x70)



## SOA

SOA R134a LBP

